

EWS5203

WIRELESS LAN CONTROLLER

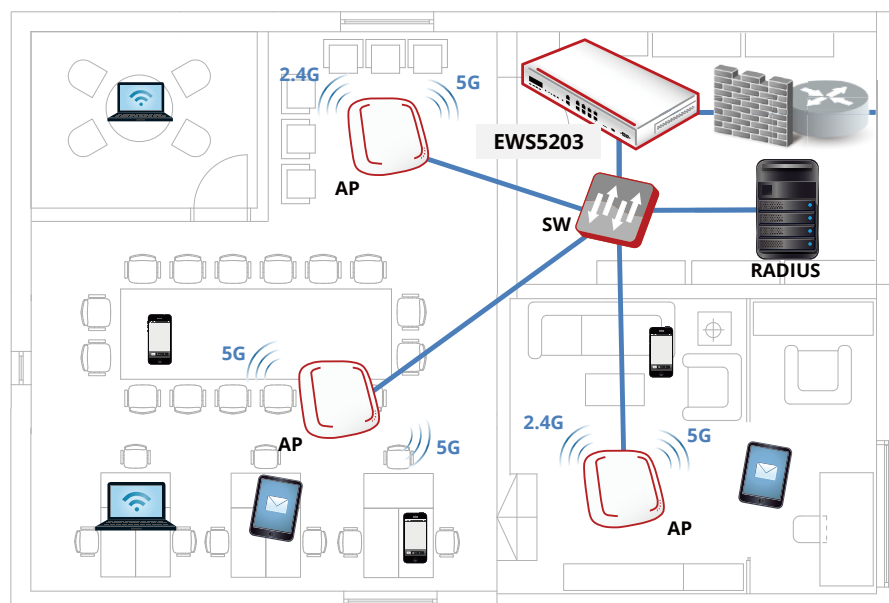


INTRODUCTION

The EWS5203 is an enterprise-grade wireless LAN controller that provides establishments such as hotels, universities, or even complete municipalities with a comprehensive set of managed Wi-Fi features at a competitive license-free price point. With AP management, user authentication, policy assignment, traffic shaping, firewall features, and much more all packaged into a single box, the EWS5203 provides network administrators with a reliable, easy-to-use, and centralized management console for an entire organization's wireless network infrastructure.

The EWS5203 is capable of managing up to 300 ECW/ECWO-series Wireless Access Points and can be directly integrated with unified access switches, all of which can be deployed and configured easily by anyone, including non-wireless savvy users. For example, automated AP discovery prevents network administrators from having to go through the hassle of individually adding and configuring each access point. Access points as well as connected Wi-Fi devices can then be monitored and managed from a centralized point, with extensive logging & reporting features to assist in troubleshooting and maintenance.

As Wi-Fi enabled handheld devices such as smartphones and tablets become ever so prevalent in our daily lives, businesses and network operators alike are faced with a mind-boggling dilemma – how to simultaneously address the needs of BYOD (Bring Your Own Device), manage Wi-Fi users, and maintain network service quality for mission critical applications. The EWS5203 is designed exactly with these requirements in mind, and with a total cost of ownership that satisfies even the most price conscious, organizations are guaranteed to receive an unmatched ROI on their wireless LAN infrastructure.



FEATURES

SECURITY

Security is often one of the most important concerns when it comes to enterprise wireless networks. From the most basic need of preventing network access by unauthorized users to performing rogue AP detection and enforcing network isolation, the Edgecore Controllers provide a complex set of features that prevent malicious activities in an organization's network.

For deployment flexibility, the Edgecore Controllers support user authentication via both the industry standard 802.1X as well as web-based captive portals. The highly customizable captive portals with integrated walled garden capability can be adapted to suit the needs of hotels, schools, and other public venues. For unregistered users without an account, guest access can be provided by simply entering an e-mail address, logging in with social media accounts, or purchasing a data plan through PayPal.

With various account generation methods, the Edgecore Controllers are able to identify users and track user activities, ensuring network security in public Wi-Fi.

The Edgecore Controllers also support remote access via VPN, which is crucial for travelling businessmen. At the same time, site-to-site VPN establishes secure connections between corporate headquarters and branch offices.

USER SECURITY	
Authentication Types	<ul style="list-style-type: none"> 802.1X UAM (browser-based) IP or MAC-based
Authentication Servers	<ul style="list-style-type: none"> Local On-Demand Guest RADIUS LDAP NT Domain SIP POP3
Customizable Captive Portal	<ul style="list-style-type: none"> Yes
Customizable Wild Card Walled Garden	<ul style="list-style-type: none"> Yes
User Blacklisting	<ul style="list-style-type: none"> Yes

ACCOUNT GENERATION	
On-demand Account	<ul style="list-style-type: none"> SMS registration Purchase via PayPal Hotel PMS integration Selectable Billing Plans Account Ticket Printer
On-demand Account Flexibility	<ul style="list-style-type: none"> Customizable Billing Plans Account Credentials Access Codes Smart Login

Guest Wi-Fi Account	<ul style="list-style-type: none"> Limitation by duration and volume Configurable reactivation time E-mail registration and activation
---------------------	-------------------------------------------------------------------------------------------------------------------------------------------------------------------------

Social Media Login	<ul style="list-style-type: none"> Yes
--------------------	-------------------------------------------------------

NETWORK SECURITY

VPN	<ul style="list-style-type: none"> Remote Site-to-Site
-----	--------------------------------------------------------------------------------

Tunneling Protocols	<ul style="list-style-type: none"> IPSec PPTP
---------------------	-----------------------------------------------------------------------

Network Isolation	<ul style="list-style-type: none"> Intra-VLAN or Port Inter-VLAN or Port
-------------------	--------------------------------------------------------------------------------------------------

Rogue AP Detection	<ul style="list-style-type: none"> Yes
--------------------	-------------------------------------------------------

Certificates	<ul style="list-style-type: none"> Built-in Root CA
--------------	--------------------------------------------------------------------

MOBILITY

The advent of the era of smartphones and tablets has opened a chasm between how the Internet is used and how organizations provide Internet connectivity. Wireless networks have transformed from a luxury to a necessity, in order to support devices that don't have legacy wired capability. Furthermore, additional features need to be provided in order to address the rapidly changing usage behavior.

The Edgecore Controllers support a variety of mobility features that aim to make enterprise Wi-Fi both easier to use and simpler to manage. For example, by supporting fast roaming, users on mobile devices can be on-the-go without worrying about interrupted connections. It is also not uncommon to see a single user with multiple handheld devices - with the Edgecore Controller all of the devices can login to Wi-Fi using the same username and password. Finally, mobile-optimized captive portals and ticket-printed QR code automatic login are both easy methods for a user to get online from their mobile device.

DEVICE MOBILITY

Fast Roaming Between Access Points	<ul style="list-style-type: none"> Yes
------------------------------------	-------------------------------------------------------

Cross Gateway Roaming	<ul style="list-style-type: none"> Yes
-----------------------	-------------------------------------------------------

WISPr Smart Client	<ul style="list-style-type: none"> Yes
--------------------	-------------------------------------------------------

Mobile Device Recognition for Optimized Captive Portal	<ul style="list-style-type: none"> Yes
--------------------------------------------------------	-------------------------------------------------------

Multiple Device Logins Per Account	<ul style="list-style-type: none"> Yes
------------------------------------	-------------------------------------------------------

QR Code Automatic Login	<ul style="list-style-type: none"> Yes
-------------------------	-------------------------------------------------------

Device Plug-and-Play	<ul style="list-style-type: none"> Yes
----------------------	-------------------------------------------------------

On-Demand Smart Login without Re-Authentication	<ul style="list-style-type: none"> Yes
-------------------------------------------------	-------------------------------------------------------

MANAGEMENT

In a wireless LAN, the Edgecore Controller is the central point of management for network administrators, whether it is monitoring current online users or troubleshooting network connectivity issues. The management console of the Edgecore Controller is a browser-based GUI that is simple and intuitive to operate. From this interface, network administrators can configure traffic shaping profiles, track previous network usage, perform system backup and restore, and much more.

From the user management perspective, one of the core benefits of the Edgecore Controller is its ability to enforce different traffic profiles based on both the location (Service Zone) of the user and the time of access. For example, the profiles applied during work hours can be different from that of during after-work hours. From bandwidth limitations to specific routing rules, network administrators gain fine-grained control over Wi-Fi users.

For access points, the Edgecore Controller support automatic discovery and provisioning, eliminating many repetitive and cumbersome tasks often faced during initial network deployment. Centralized AP configuration and monitoring also greatly reduces maintenance overhead for IT staff.

SYSTEM MANAGEMENT

Browser-Based Configuration	<ul style="list-style-type: none"> Yes
Administrator Accounts	<ul style="list-style-type: none"> Multiple tiered access privileges Monitor each admin's current accessed page
System Time	<ul style="list-style-type: none"> NTP synchronization Manually configured
System Backup & Restore	<ul style="list-style-type: none"> Yes
SNMP	<ul style="list-style-type: none"> Yes; v2c
Network Utilities	<ul style="list-style-type: none"> Yes; built-in packet capture

AP MANAGEMENT

Automatic AP Discovery	<ul style="list-style-type: none"> Yes
Automatic AP Provisioning	<ul style="list-style-type: none"> Yes; template-based
AP Configuration Backup & Restore	<ul style="list-style-type: none"> Yes
AP Firmware Batch Upgrade	<ul style="list-style-type: none"> Yes
Tunneled AP Management	<ul style="list-style-type: none"> Yes; both L2 & L3 APs
AP Load Balancing	<ul style="list-style-type: none"> Yes
Automatic AP Firmware Upgrade	<ul style="list-style-type: none"> Yes
Automatic Periodically AP Backup	<ul style="list-style-type: none"> Yes

SWITCH MANAGEMENT

Automatic Switch Discovery	<ul style="list-style-type: none"> Yes
Automatic Switch Provisioning	<ul style="list-style-type: none"> Yes; template-based

Switch Configuration Backup & Restore	<ul style="list-style-type: none"> Yes
Switch Power Scheduling	<ul style="list-style-type: none"> Yes
USER MANAGEMENT	
User Policy Assignment	<ul style="list-style-type: none"> Role-based Time & location dependent
Bandwidth Limitation	<ul style="list-style-type: none"> User-based Group-based Bandwidth throttling
Traffic Classification / Remarking	<ul style="list-style-type: none"> Yes; 802.1p / DSCP
Stateful Firewall	<ul style="list-style-type: none"> Yes; each rule with individual enforcement schedules
Static Route Assignment	<ul style="list-style-type: none"> Yes
Concurrent Session Limit	<ul style="list-style-type: none"> Yes
IP Address Reassignment	<ul style="list-style-type: none"> Allow clients to obtain different IP addresses after authentication

SERVICES

As wireless networks increasingly become the primary network used by organizations, it is crucial to take into consideration fundamental network services, such as DHCP, NAT, and routing. In addition to providing these functions, the Edgecore Controller also implements the concept of a "Service Zone", which essentially segments the controller into multiple virtual controllers, each with its own associated network services, user policies, authentication settings, etc.

On the reliability end, the Edgecore Controller supports WAN port failover, which helps businesses reduce the chance of network downtime and prevents lost productivity and revenue. Furthermore, load balancing between the WAN ports increases overall performance by alleviating congestion and distributing traffic between the two outgoing links.

Finally, the Edgecore Controller provides unique value-added capabilities, such as a direct integration with Micros Opera PMS that greatly simplifies the overhead of providing managed Wi-Fi in hotels.

NETWORK SERVICES

Redundancy (High Availability)	<ul style="list-style-type: none"> N+1 with automatic synchronization
Internet Protocols Supported	<ul style="list-style-type: none"> IPv4 IPv6
DHCP Server / DHCP Relay	<ul style="list-style-type: none"> Yes
Network Address Translation	<ul style="list-style-type: none"> Yes
Built-in HTTP Proxy Server	<ul style="list-style-type: none"> Yes
WAN Port Load Balancing	<ul style="list-style-type: none"> Yes

Dynamic Routing	♦ Yes
Local DNS Records	♦ Yes
Hotel PMS Integration	♦ Innkey PMS ♦ Oracle Hospitality OPERA ♦ IDS Next
Integrated Billing & Accounting System	♦ Yes
Billing Quota Types	♦ By duration ♦ By traffic volume

REPORTING

Whether it is real-time monitoring of network activity or tracking the usage of previous Wi-Fi users, network administrators need the appropriate tools at their disposal to increase efficiency and reduce workload. The Edgecore Controllers have an extensive set of logging and reporting features that allow network administrators to easily find any information related to the wireless network.

The built-in system dashboard provides a quick overview of the current system status, along with graphical reports of network traffic and system performance. In addition, there is a simple interface for viewing online devices and their associated detailed statistics, including but not limited to the roles they belong to, enforced network policies, and packets transferred.

Alongside network monitoring, the Edgecore Controller also performs detailed logging of all network activity. For example, the User HTTP Web Log allows network administrators to track users who visited malicious websites, while the DHCP Lease Log can assist in troubleshooting clients who cannot receive an IP address. Lastly, the Configuration Change Log shows administrators which settings have been modified in the past, in case there are configuration errors that need to be reverted.

SYSTEM & NETWORK STATUS

System Dashboard	♦ Yes
Graphical System Performance Reports	♦ Yes
Traffic Volume Reports	♦ Yes
System Process Monitor	♦ Yes
Online Device Monitoring	♦ Yes
Active Sessions List	♦ Yes
Configurable SYSLOG Severity	♦ Yes
SMTP (E-mail) Notifications	♦ Yes
Multiple Concurrent E-mail Notification Receivers	♦ Yes

NETWORK ACTIVITY LOGS

System Log (SYSLOG)	♦ Yes
CAPWAP Log	♦ Yes
Configuration Change Log	♦ Yes

RADIUS Server Log	♦ Yes
User Events Log	♦ Yes
User HTTP Web Log	♦ Yes
Firewall Log	♦ Yes
DHCP Server/Lease Log	♦ Yes
PMS Interface Log	♦ Yes
On-Demand Billing Report	♦ Yes
AP Status E-mail Notification	♦ Yes
AP Management Event Log	♦ Yes
Logging to External FTP	♦ Yes
Configurable Logs & Reporting Intervals	♦ Yes

SPECIFICATIONS

SYSTEM CAPACITY*1

Managed APs	♦ Up to 300
Local Accounts	♦ Up to 10,000
On-Demand Accounts	♦ Up to 10,000
Managed Switches	♦ 80
Max. Number of Online Users	♦ 3,000; Switchable

HARDWARE SPECIFICATIONS

Form Factor	♦ 19" (1U) Rack Mount (Mounting bracket included)
Dimensions (W x D x H)	♦ 42.6 cm x 27.0 cm x 4.4 cm
Weight	♦ 2.64 kg (5.81 lbs)
Power	♦ Input: 100-240 VAC, 50/60 Hz (Power cord included)
Interfaces	♦ WAN: 2 x 10/100/1000Base-T Ethernet, Auto-MDIX, RJ-45; or 2 x SFP ♦ LAN: 8 x 10/100/1000Base-T Ethernet, Auto-MDIX, RJ-45 ♦ Console: 1 x RJ-45 ♦ USB: 1 x USB3.0
LED Indicators	♦ Power ♦ Status
Buttons	♦ Reset
LCD Display	♦ Yes
Environmental Conditions	♦ Operating Temperature: 0°C (32°F) to 40°C (104°F) ♦ Operating Humidity: 10% to 90% non-condensing

*1: Capacity limits may vary depending on configuration parameters